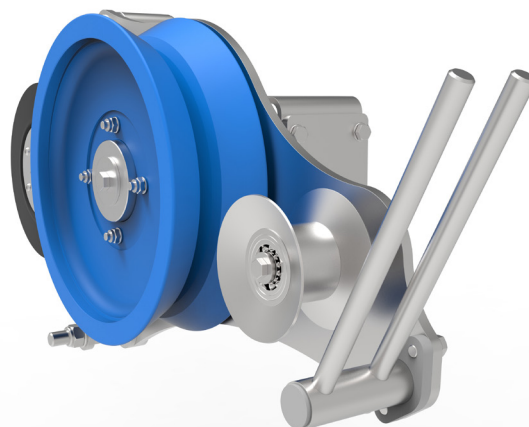


LEFT VERSION

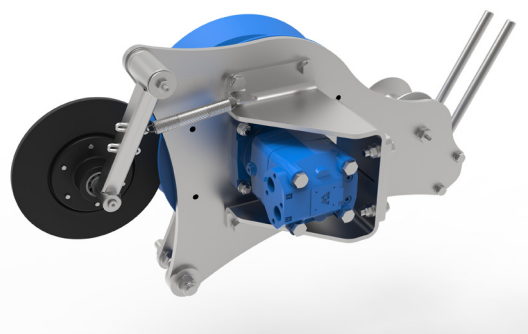
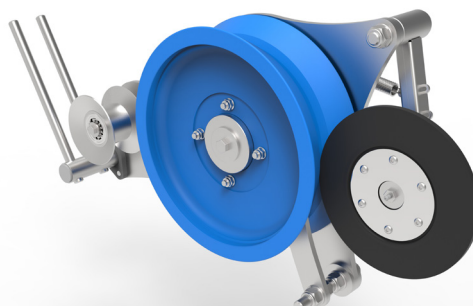


RIGHT VERSION

## ROPE HAULER 7100

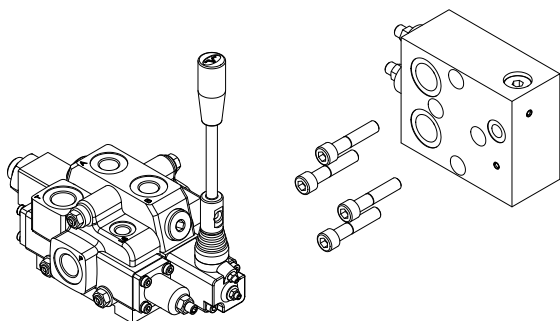
### Heavy duty rope hauler

- Rope from 8mm to 40mm
- Max pressure drop 210 bar
- Flow rate 30 l/min gives approx. 140 mtr/min
- Available in both right and left versions
- All (except sheaves) stainless steel, acid proof.
- Length: 1012 mm
- Width: 350 mm
- Height: 485 mm
- Weight: 113 kg



REAR MOUNTING BRACKET CAN BE MOUNTED IN 4 POSITIONS.

HYDRAULIC MOTORS ROTATES SIMULTANEOUSLY.



DIRECTIONAL VALVE  
(OPTIONAL)

COUNTERBALANCE VALVE  
(OPTIONAL)